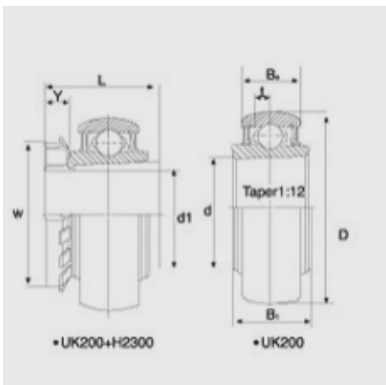


Insert Bearing

UK200 Series-UK218+HS2318



Bearing No.	UK218+HS2318
d1	
(in.)	3 1/8
(mm)	80
Dimensions [mm]	
D	160
L	66
d	90
Bi	52
Be	37
T	11.1
Y	18
W	120
Basic Load Rating (kN)	
Dynamic	9500
Static	7100

HEBEI HUANSHENG BEARING CO., LTD-Tel:+86-0319-8541203-Email:hbhs@hbhsbearing.com-
www.hbhsbearing.com