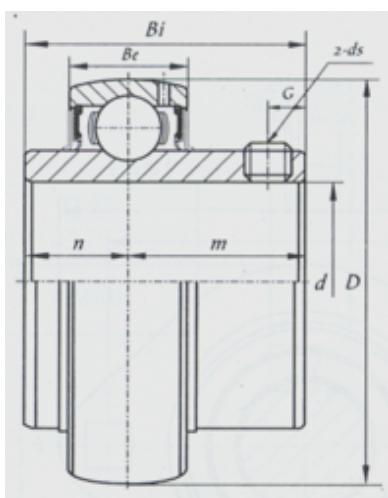


Insert Bearing

UC300 Series-UC320



Bearing No.	<b>UC320</b>
d	
(mm)	100
(in.)	
Dimensions [mm]	
D	215
Bi	108
Be	54
n	42
m	66
G	18
ds	M18x1.5

HEBEI HUANSHENG BEARING CO., LTD-Tel:+86-0319-8541203-Email:hbhs@hbhsbearing.com-  
www.hbhsbearing.com