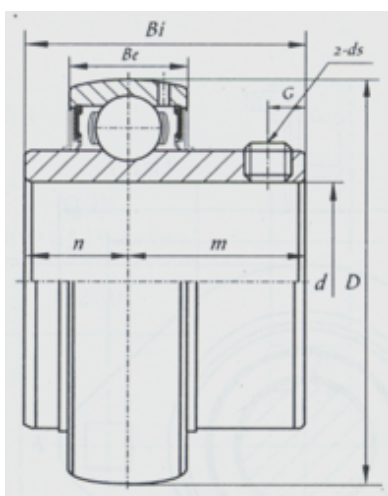


Insert Bearing

UC300 Series-UC316



|                 |              |
|-----------------|--------------|
| Bearing No.     | <b>UC316</b> |
| d               |              |
| (mm)            | 80           |
| (in.)           |              |
| Dimensions [mm] |              |
| D               | 170          |
| Bi              | 86           |
| Be              | 44           |
| n               | 34           |
| m               | 52           |
| G               | 14           |
| ds              | M14x1.5      |

HEBEI HUANSHENG BEARING CO., LTD-Tel:+86-0319-8541203-Email:hbhs@hbhsbearing.com-  
www.hbhsbearing.com