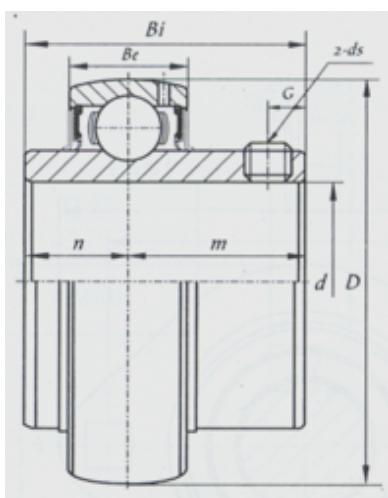


Insert Bearing

UC300 Series-UC314



Bearing No.	UC314
d	
(mm)	70
(in.)	
Dimensions [mm]	
D	150
Bi	78
Be	40
n	33
m	45
G	12
ds	M12x1.5

HEBEI HUANSHENG BEARING CO., LTD-Tel:+86-0319-8541203-Email:hbhs@hbhsbearing.com-
www.hbhsbearing.com