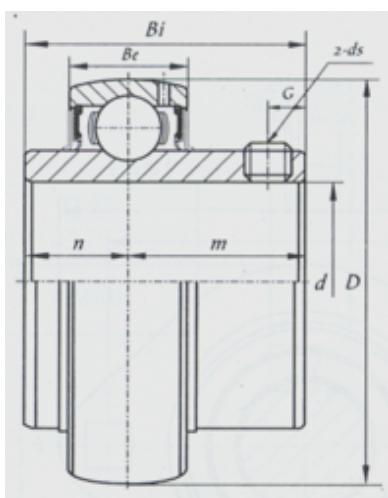


Insert Bearing

UC300 Series-**UC312-38**



Bearing No.	UC312-38
d	
(mm)	60.325
(in.)	2 3/8
Dimensions [mm]	
D	130
Bi	71
Be	36
n	26
m	45
G	12
ds	1/2-20UNF

HEBEI HUANSHENG BEARING CO., LTD-Tel:+86-0319-8541203-Email:hbhs@hbhsbearing.com-
www.hbhsbearing.com