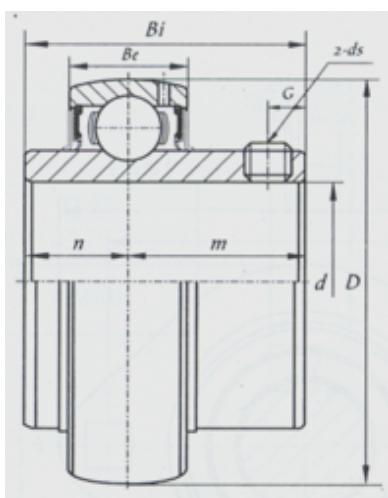


Insert Bearing

UC300 Series-**UC307**



Bearing No.	<b>UC307</b>
d	
(mm)	35
(in.)	
Dimensions [mm]	
D	80
Bi	48
Be	26
n	19
m	29
G	8
ds	M8x1.0

HEBEI HUANSHENG BEARING CO., LTD-Tel:+86-0319-8541203-Email:hbhs@hbhsbearing.com-  
www.hbhsbearing.com