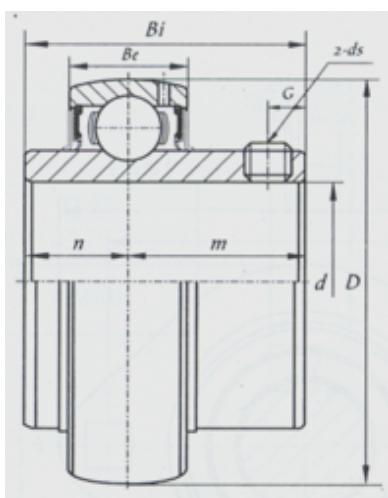


Insert Bearing

UC300 Series-**UC306**



Bearing No.	UC306
d	
(mm)	30
(in.)	
Dimensions [mm]	
D	72
Bi	43
Be	24
n	17
m	26
G	6
ds	M6x1

HEBEI HUANSHENG BEARING CO., LTD-Tel:+86-0319-8541203-Email:hbhs@hbhsbearing.com-
www.hbhsbearing.com