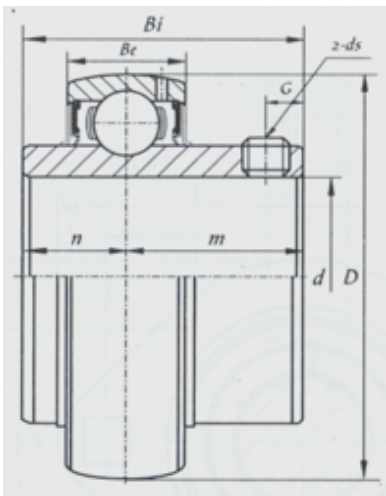


Insert Bearing

UC300 Series-UC306-19



Bearing No.	UC306-19
d	
(mm)	30.163
(in.)	1.1875
Dimensions [mm]	
D	72
Bi	43
Be	24
n	17
m	26
G	6
ds	1/4-28UNF

HEBEI HUANSHENG BEARING CO., LTD-Tel:+86-0319-8541203-Email:hbhs@hbhsbearing.com-
www.hbhsbearing.com