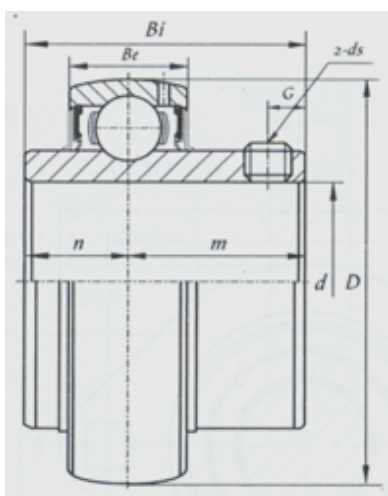


Insert Bearing

UC300 Series-**UC306-18**



Bearing No.	<b>UC306-18</b>
d	
(mm)	28.575
(in.)	1.125
Dimensions [mm]	
D	72
Bi	43
Be	24
n	17
m	26
G	<b>6</b>
ds	1/4-28UNF

HEBEI HUANSHENG BEARING CO., LTD-Tel:+86-0319-8541203-Email:hbhs@hbhsbearing.com-  
www.hbhsbearing.com