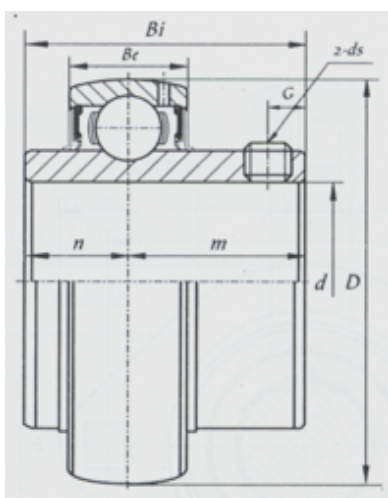


Insert Bearing

UC200 Series-UC216-50



Bearing No.	<b>UC216-50</b>
d	
(mm)	79.375
(in.)	3 1/8
Dimensions [mm]	
D	140
Bi	82.6
Be	33
n	33.3
m	49.3
G	14
ds	7/16-20UNF

HEBEI HUANSHENG BEARING CO., LTD-Tel:+86-0319-8541203-Email:hbhs@hbhsbearing.com-  
www.hbhsbearing.com