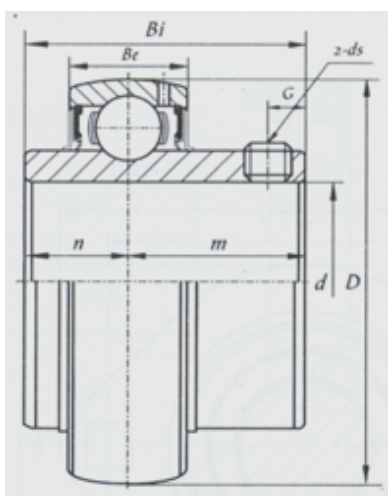


Insert Bearing

UC200 Series-UC212



Bearing No.	UC212
d	
(mm)	60
(in.)	
Dimensions [mm]	
D	110
Bi	65.1
Be	27
n	25.4
m	39.7
G	10
ds	M10x1.25

HEBEI HUANSHENG BEARING CO., LTD-Tel:+86-0319-8541203-Email:hbhs@hbhsbearing.com-
www.hbhsbearing.com