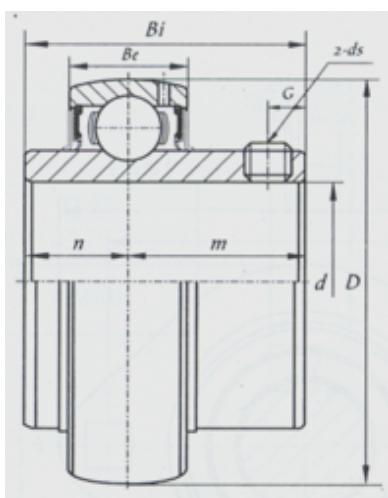


Insert Bearing

UC200 Series-UC210



Bearing No.	<b>UC210</b>
d	
(mm)	50
(in.)	
Dimensions [mm]	
D	90
Bi	51.6
Be	24
n	19
m	32.6
G	9.5
ds	M10x1.25

HEBEI HUANSHENG BEARING CO., LTD-Tel:+86-0319-8541203-Email:hbhs@hbhsbearing.com-  
www.hbhsbearing.com