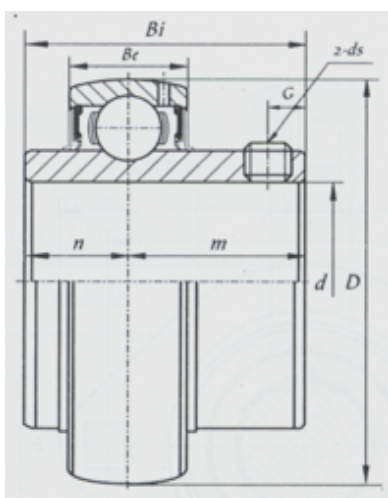


Insert Bearing

UC200 Series-UC208



Bearing No.	UC208
d	
(mm)	40
(in.)	
Dimensions [mm]	
D	80
Bi	49.2
Be	21
n	19
m	30.2
G	8
ds	M8x1.0

HEBEI HUANSHENG BEARING CO., LTD-Tel:+86-0319-8541203-Email:hbhs@hbhsbearing.com-
www.hbhsbearing.com