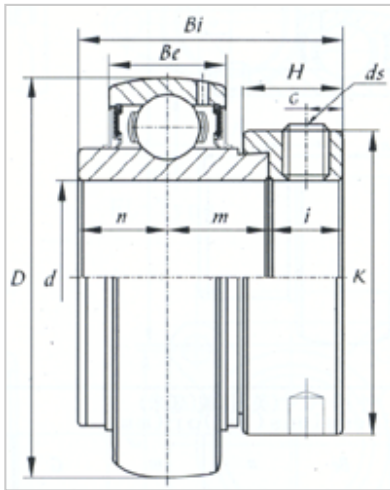
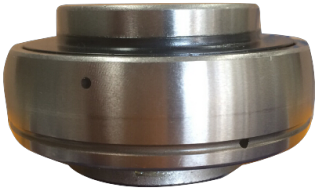


Insert Bearing

NA Series-NA212



Bearing No.	NA212
d	
(mm)	60
(in.)	
Dimensions [mm]	
D	110
Be	27
Bi	77.8
B1	62
n	31
K	84.2
H	22.3
G	8
ds	M10x1.25
Basic Load Rating (kN)	
Dynamic	4750
Static	3250

HEBEI HUANSHENG BEARING CO., LTD-Tel:+86-0319-8541203-Email:hbhs@hbhsbearing.com-
www.hbhsbearing.com