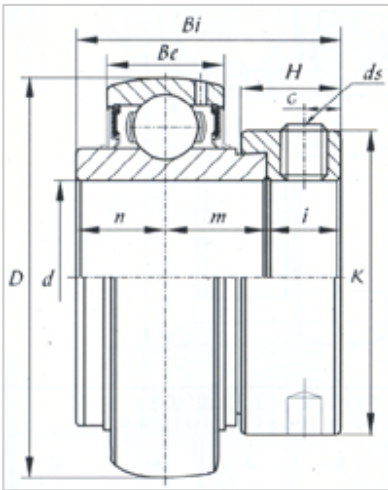
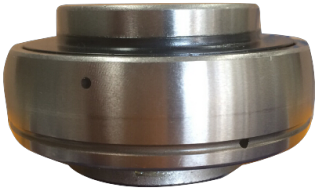


Insert Bearing

NA Series-NA212-36



Bearing No.	NA212-36
d	
(mm)	57.15
(in.)	2 1/4
Dimensions [mm]	
D	110
Be	27
Bi	77.8
B1	62
n	31
K	84.2
H	22.3
G	8
ds	3/8-24UNF
Basic Load Rating (kN)	
Dynamic	4750
Static	3250

HEBEI HUANSHENG BEARING CO., LTD-Tel:+86-0319-8541203-Email:hbhs@hbhsbearing.com-
www.hbhsbearing.com