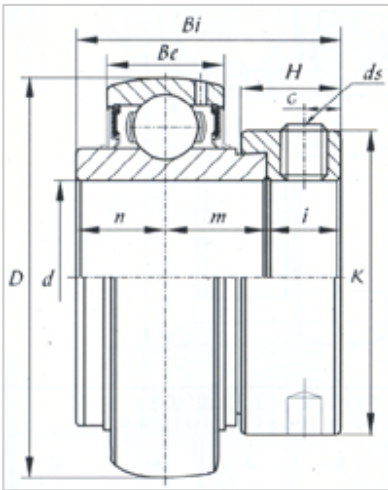
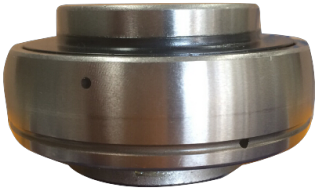


Insert Bearing

NA Series-NA208-24



Bearing No.	NA208-24
d	
(mm)	38.1
(in.)	1 1/2
Dimensions [mm]	
D	80
Be	21
Bi	56.3
B1	42.8
n	21.4
K	60.3
H	18.3
G	6.5
ds	5/16-24UNF
Basic Load Rating (kN)	
Dynamic	2950
Static	1800

HEBEI HUANSHENG BEARING CO., LTD-Tel:+86-0319-8541203-Email:hbhs@hbhsbearing.com-
www.hbhsbearing.com