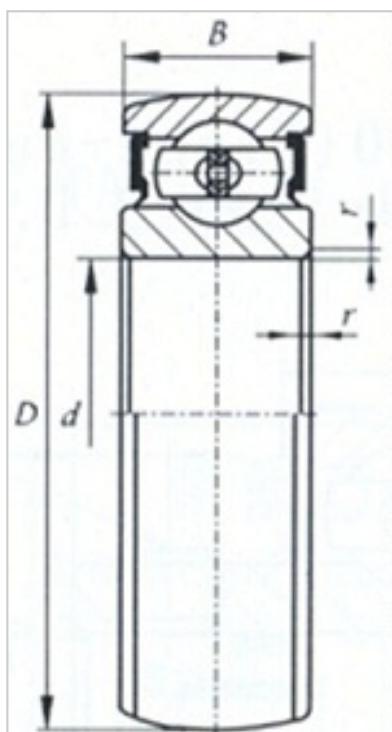


Insert Bearing

CS Series-**CS310**



Bearing Designation	CS310
Dimension [mm]	
d	50
D	110
C	27
B	27
r min	2
Basic load ratings (kN)	
Cr	6180
Cor	3800



HEBEI HUANSHENG BEARING CO., LTD-Tel:+86-0319-8541203-Email:hbhs@hbhsbearing.com-
www.hbhsbearing.com