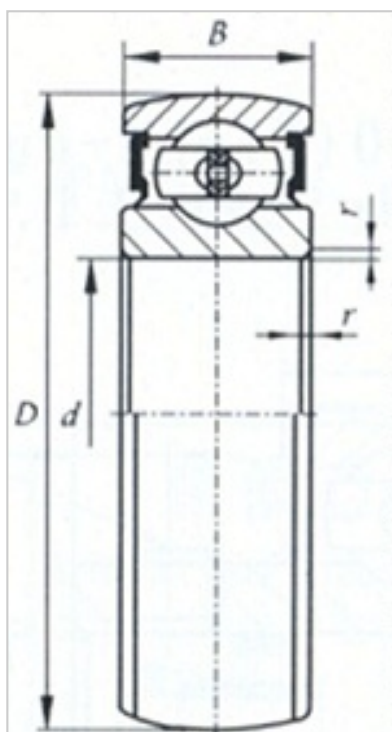


Insert Bearing

CS Series-**CS308**



Bearing Designation	<b>CS308</b>
Dimension [mm]	
d	40
D	90
C	23
B	23
r min	1.5
Basic load ratings (kN)	
Cr	4080
Cor	2400



HEBEI HUANSHENG BEARING CO., LTD-Tel:+86-0319-8541203-Email:hbhs@hbhsbearing.com-  
www.hbhsbearing.com