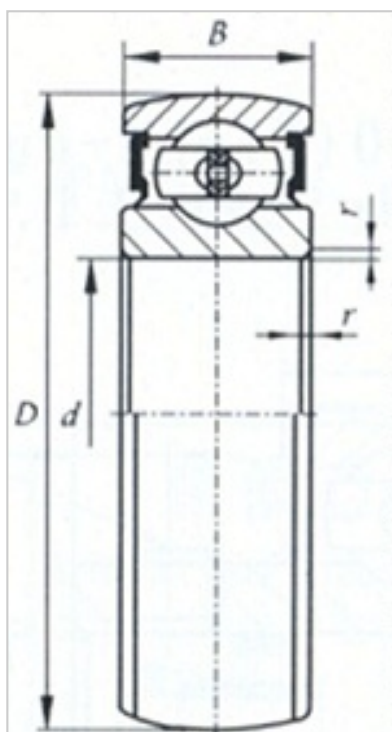


Insert Bearing

CS Series-**CS201**



Bearing Designation	CS201
Dimension [mm]	
d	12
D	32
C	10
B	10
r min	0.6
Basic load ratings (kN)	
Cr	680
Cor	300



HEBEI HUANSHENG BEARING CO., LTD-Tel:+86-0319-8541203-Email:hbhs@hbhsbearing.com-
www.hbhsbearing.com