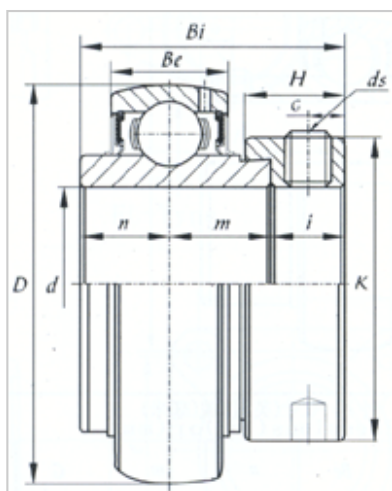


外球面轴承

NA 系列-NA215-47



| | |
|-------------|-----------|
| 型号 | NA215-47 |
| d | |
| (mm) | 74.613 |
| (in.) | 2 15/16 |
| 尺寸 (mm) | |
| D | 130 |
| Be | 30 |
| Bi | 92.1 |
| B1 | 75 |
| n | 37.3 |
| K | 102 |
| H | 23.5 |
| G | 8.5 |
| ds | 3/8-24UNF |
| 基本额定载荷 (kN) | |
| Cr | 6600 |
| Cor | 4950 |